

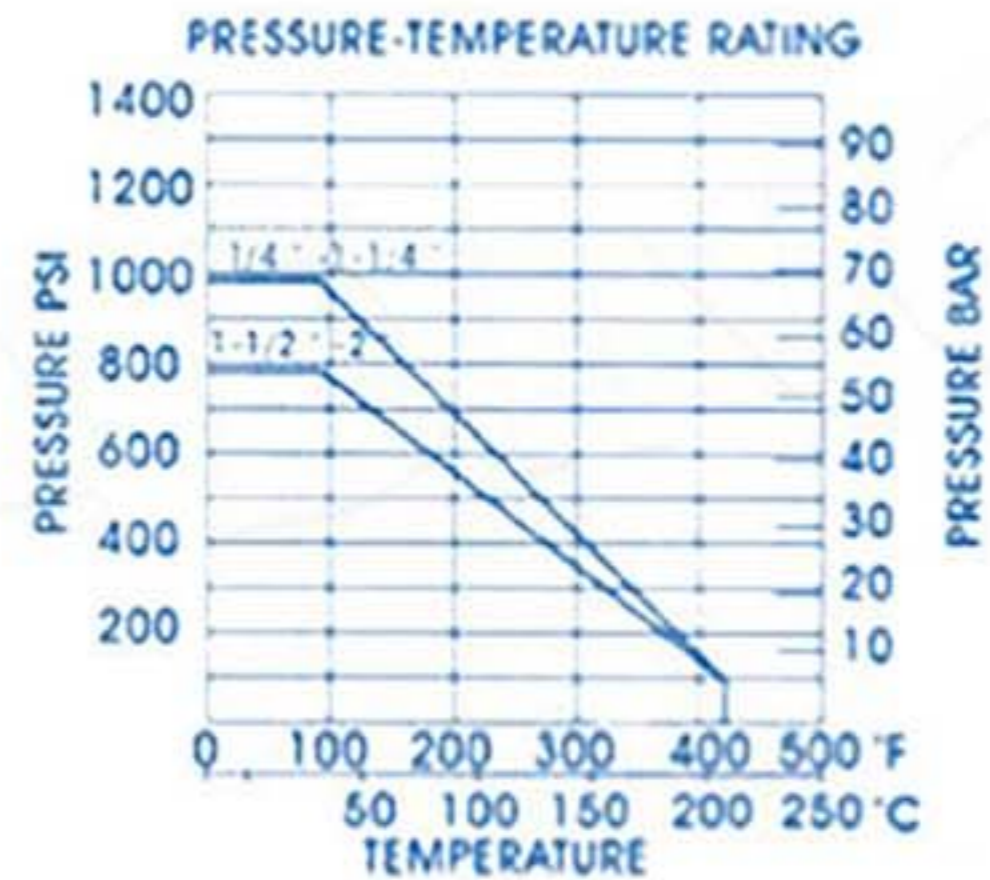
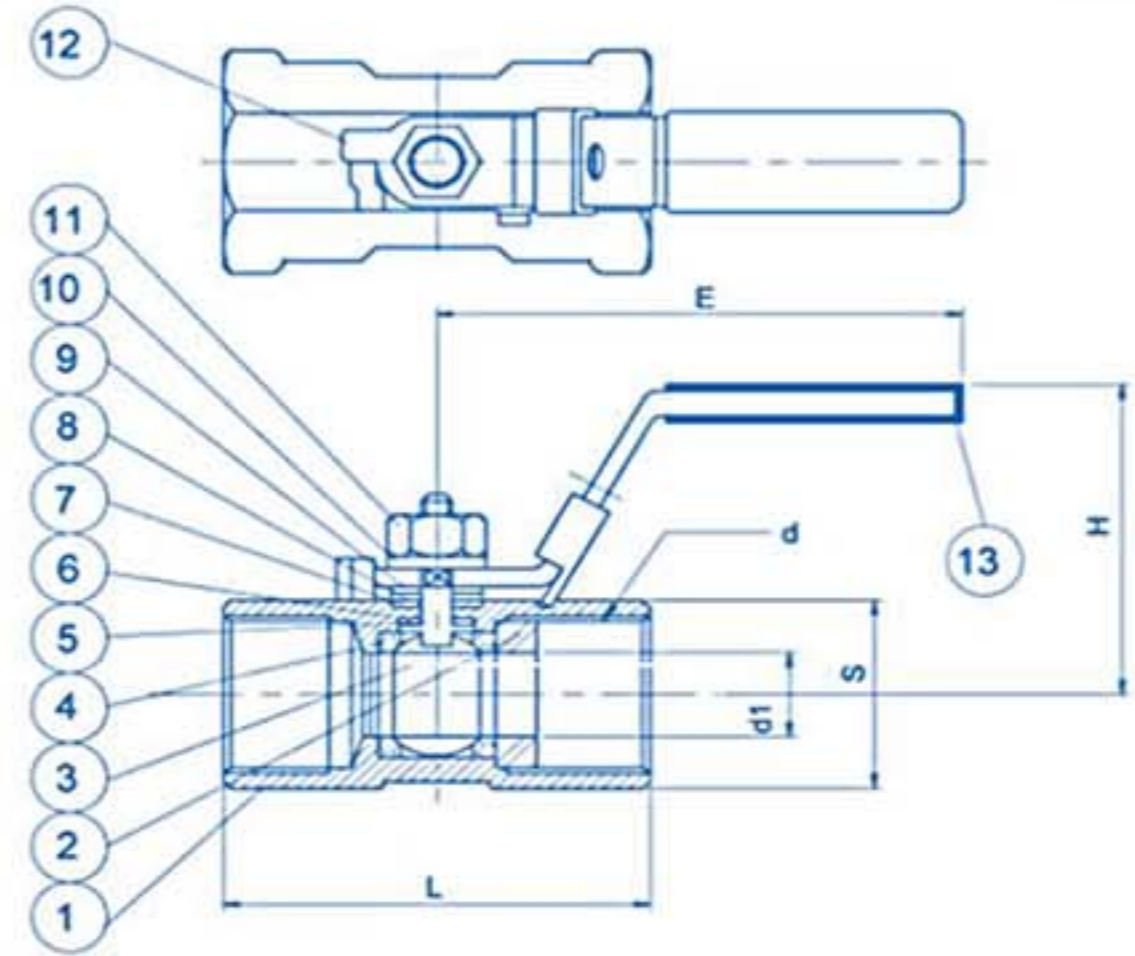
STAINLESS STEEL BALL VALVE



1-PC BALL VALVE REDUCED PORT SCREWED ENDS

FEATURE AND APPLICATION

- ◆ Inspection & testing according to API 598
- ◆ Investment cast benefits high quality casting
- ◆ 1-Piece body design, Reduced port
- ◆ Blow-out proof stem.
- ◆ Applicable Medium : Water, Oil, Gas, Steam, Chemical
- ◆ Screwed end BSPT Connection
- ◆ Lever Handle Operation
- ◆ Max. Working Pressure : 1000 PSI (69Bar)
- ◆ Max. Working Temperature: -10°C To 180°C
- ◆ Size Range : 1/4" - 2"



Bill of Materials

Sequence	Description	Material	Sizes
1	Body	SUS 316	All
2	Insert	SUS 316	All
3	Ball	SUS 316	All
4	Seat	PTFE	All
5	Stem	SUS 316	All
6	Thrust Washer	PTFE	All
7	Stem Pasher	PTFE	All
8	Glaknd Washer	SUS 304	All
9	Glaknd Washer	SUS 304	All
10	Spring Washer	SUS 304	All
11	Nut	SUS 304	All
12	Handle	SUS 304	All
13	Handle Sleeve	Vinyl Grip	All

Dimensions

Dimensions							mm
DN	INCH	D1	L	H	E	S	
8	1/4"	5	39	36.5	69	17	
10	3/8"	7.2	44	37.5	79	21	
15	1/2"	9.2	56.5	40	110	25	
20	3/4"	12.5	59	45.3	108	31.5	
25	1"	15	71	48	112	38	
32	1-1/4"	20	78	53	112	48	
40	1-1/2"	25	83	60.5	157	53	
50	2"	32	100	67.5	155.5	64	

